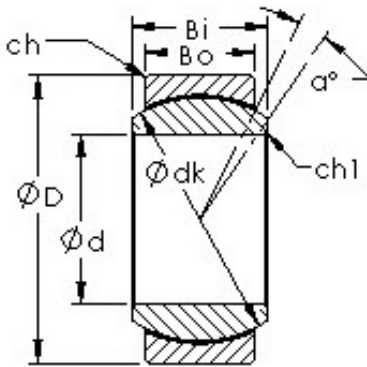




NTA PRECISION AXLE CORP.



AST GEBJ18C plain bearings

Bearing No. GEBJ18C

| | |
|---|-----------------------------------|
| Bore Diameter | 18 mm |
| Outer Diameter | 35 mm |
| Bearing Type | wide |
| Bore Dia (d) | 18.0000 |
| Outer Dia (D) | 35.0000 |
| Outer Width (Bo) | 16.5000 |
| Inner Width (Bi) | 23.0000 |
| Dynamic Load Rating (Cr) | 47,000 |
| Static Load Rating (Cor) | 117,000 |
| Max. shaft corner radius, or 45 deg. chamfer (ch1) | 0.600 |
| Max. housing corner radius, or 45 deg. chamfer (ch) | 0.600 |
| Spherical Diameter (dk or Dk) | 31.750 |
| Mis-alignment Angle (a deg.) | 15 |
| Weight (g) | 103.00 |
| Material - Outer Ring - Carbon steel, Inner ring | 52100 Chrome steel, or equivalent |

GEBJ18C Bearing 2D drawings and 3D CAD models