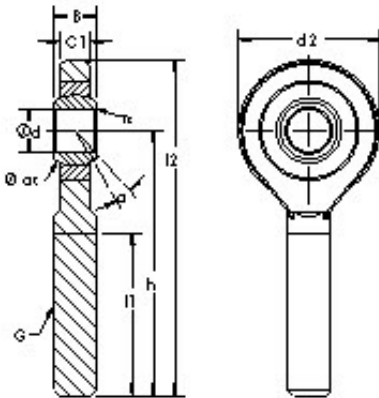




NTA PRECISION AXLE CORP.



SAJK20C Bearing 2D drawings and 3D CAD models

AST SJK20C plain bearings

Bearing No. SAJK20C

Bore Diameter	20 mm
Width	25 mm
Bearing Type - steel-on-PTFE composite	steelonPTFE composite
Bore Dia (d)	20.0000
Width (B)	25.0000
Radius (min) (rs)	0.600
Dynamic Load Rating (Cr)	34,000
Static Load Rating (Cor)	40,000
Spherical Diameter (dk or Dk)	34.930
Mis-alignment Angle (a deg.)	14
Thread Length (I1)	45.000
Bore Center to End of Rod (h)	78.000
Rod Overall Length (I2)	103.000
Rod End Thickness (C1)	18.500
Bore Center to Body (I7)	28
Thread Size (G)	M20 X 1.5
Rod End Width (d2)	50.000
Weight (g)	400.00
Material - Body - Carbon steel-zinc plated, Ball - Hardened chrome steel-chrome plated, Liner	PTFE composite material