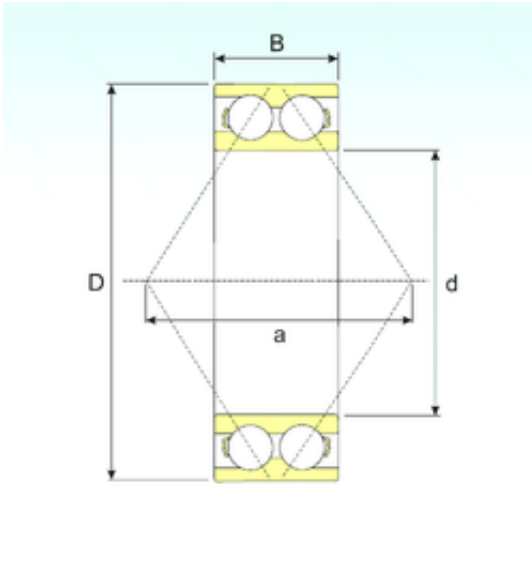




NTA PRECISION AXLE CORP.



35 mm x 80 mm x 34,9 mm 35 mm x 80 mm x 34,9 mm CYSD 3307 angular contact ball bearings

Bearing No. 3307

Size	35x80x34.9 mm
Bore Diameter	35 mm
Outer Diameter	80 mm
Width	34,9 mm
d	35 mm
D	80 mm
B	34,9 mm
C	34,9 mm
r min.	1,5 mm
Weight	0,816 Kg
Basic dynamic load rating (C)	48,6 kN
Basic static load rating (C0)	46,8 kN
(Grease) Lubrication Speed	5200 r/min

3307 Bearing 2D drawings and 3D CAD models