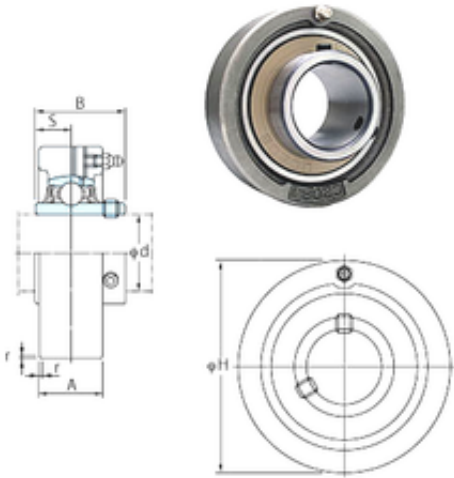




NTA PRECISION AXLE CORP.

FYH UCC309-28 bearing units

Bearing No. UCC309-28



Bore Diameter	44,45 mm
Width	57 mm
d	44,45 mm
r	3 mm
A	38 mm
B	57 mm
H	130 mm
S	22 mm
Weight	2,8 Kg
Basic dynamic load rating (C)	48,9 kN
Basic static load rating (C0)	29,5 kN

UCC309-28 Bearing 2D drawings and 3D CAD models