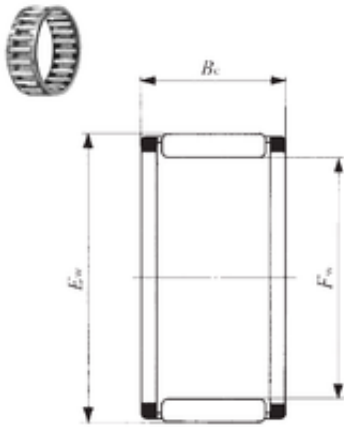




# NTA PRECISION AXLE CORP.

## IKO KT 141910 needle roller bearings



Bearing No. KT 141910

Bore Diameter	14 mm
Outer Diameter	19 mm
Fw	14 mm
Ew	19 mm
Bc	10 mm
Weight	0,0059 Kg
Basic dynamic load rating (C)	7,13 kN
Basic static load rating (C0)	7,18 kN
Category	Bearings
Inventory	0.0
Manufacturer Name	IKO
Minimum Buy Quantity	N/A
Weight / Kilogram	0
Product Group	B04144

KT 141910 Bearing 2D drawings and 3D CAD models